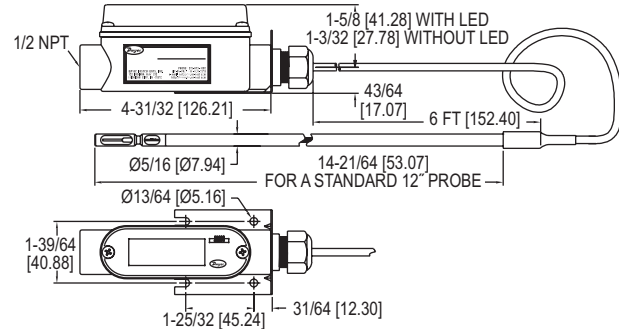


Dwyer

SERIES 641RM

AIR VELOCITY TRANSMITTER WITH REMOTE PROBE

For Remotely Mounting Electronic Enclosure



The **Series 641RM Air Velocity Transmitter with Remote Probe** features the same highly accurate heated mass flow sensor as the Series 641, with a remote probe construction. The units 6' cable which connects the sensing probe with the electronic enclosure allows the enclosure to be mounted where it can be more easily accessed.

FEATURES/BENEFITS

- Ranges from 250 FPM (1.25 MPS) to 15,000 FPM (75 MPS)
- Optional bright LED display
- Easy push-button set-up
- Compact housing
- 4-20 mA output
- Digital filter for signal damping

APPLICATIONS

- Exhaust stack flow monitoring
- Air control in drying processes
- HVAC air velocity measurements
- Fan supply and exhaust tracking
- Clean room ventilation monitoring

MODEL CHART	
Model	Description
641RM-12	Air velocity transmitter with 6' cable
641RM-12-LED	Air velocity transmitter with 6' cable with LED display

OPTIONS	
To order add suffix:	Description
-NIST	NIST traceable calibration certificate
Example: 641RM-12-NIST	

SPECIFICATIONS	
Service: Clean air and compatible, non-combustible gases.	Output Filter: Selectable 0.5–15 (seconds).
Accuracy: 3% FS process gas: 32 to 122°F (0 to 50°C); 4% FS process gas: -40 to 32°F and 122 to 212°F (-40 to 0°C & 50 to 100°C).	Loop Resistance: 600 Ω max.
Response Time: Flow: 1.5 s to 95% of final value (output filter set to minimum).	Current Consumption: 300 mA max.
Temperature Limits: Process: -40 to 212°F (-40 to 100°C); Ambient: 32 to 140°F (0 to 60°C).	Electrical Connections: Screw terminal.
Pressure Limit: 100 psi (6.89 bar) maximum.	Mounting Orientation: Unit not position sensitive. Probe must be aligned with airflow.
Humidity Limit: Non-condensing.	Weight: 13.2 oz (374.26 g).
Power Requirements: 12-35 VDC, 10-16 VAC. 1.5 A rating required on supply due to initial power surge drawn by transmitter.	Cable Length: 6' (1.82 m).
Output Signal: 4-20 mA, isolated 24 V source, 3 or 4-wire connection.	Probe Length: 12" (30.48 cm) standard.
	Probe Diameter: 5/16" (0.79 cm).
	OPTIONAL DISPLAY VERSION:
	Display: 4-1/2 digit 1/2" red LED.
	Resolution: 1 FPM, 0.01 MPS (10 FPM @ 10,000 and 15,000 FPM ranges).
	Weight: 13.9 oz (394.16 g).

ACCESSORIES	
Model	Description
A-156	Universal mounting plate, 1/2" female NPT
A-158	Split flange mounting kit
A-159	Duct mounting gland
641-LED	Field-upgradeable LED